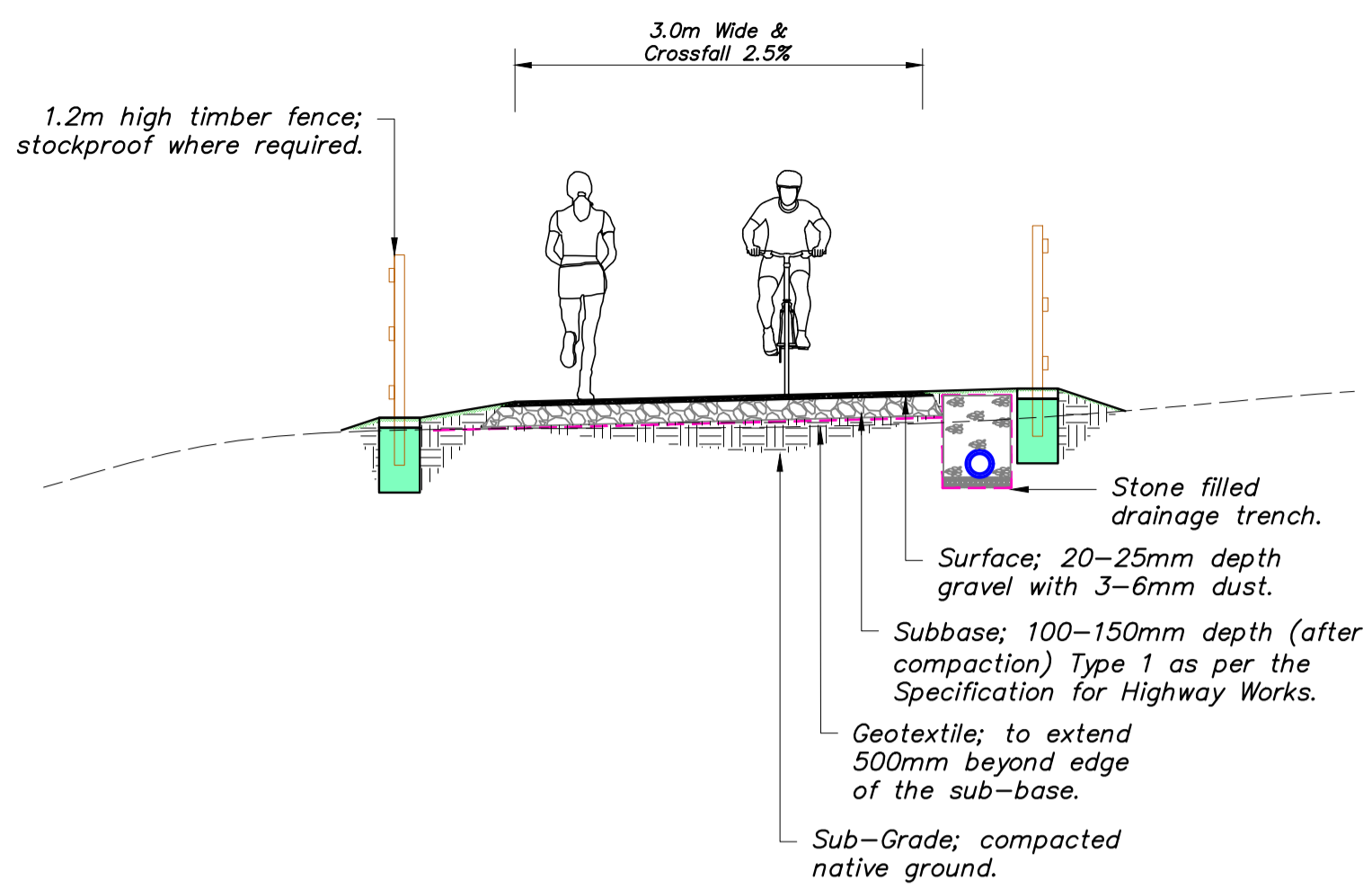
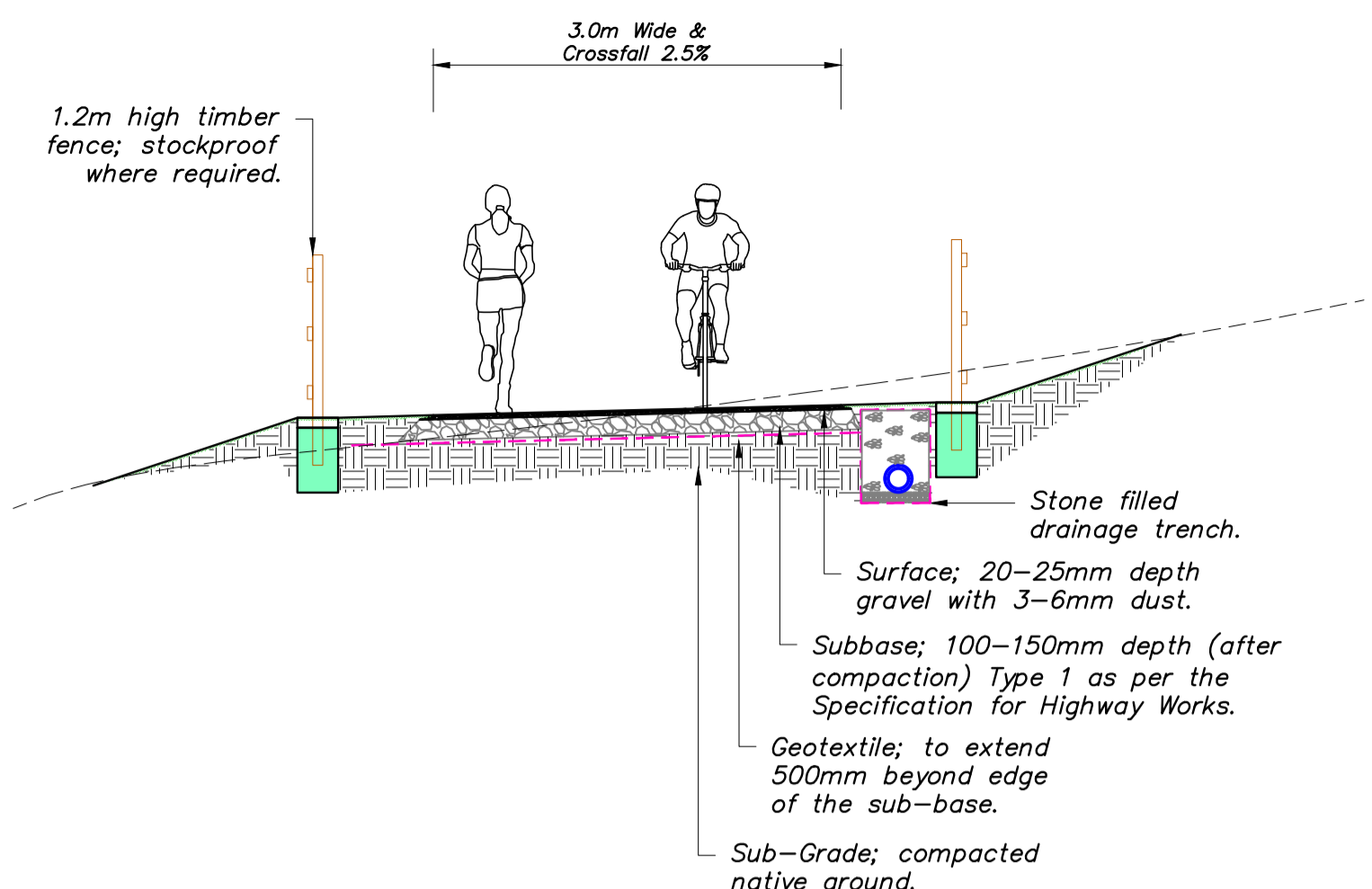


Rev.	Date	By	Check	Details	Appr.
-	-	-	-		-



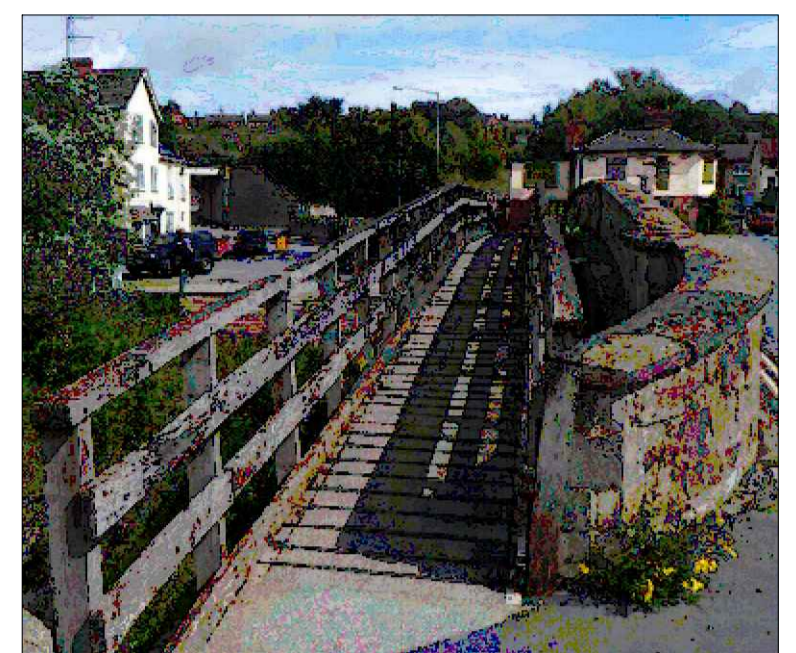
**Typical Unbound Greenway**  
Semi-Tray (Poorly Drained Soils)  
Scale 1:20



**Typical Unbound Greenway**  
Full Tray Cut/Fill (Well Drained Soils)  
Scale 1:20



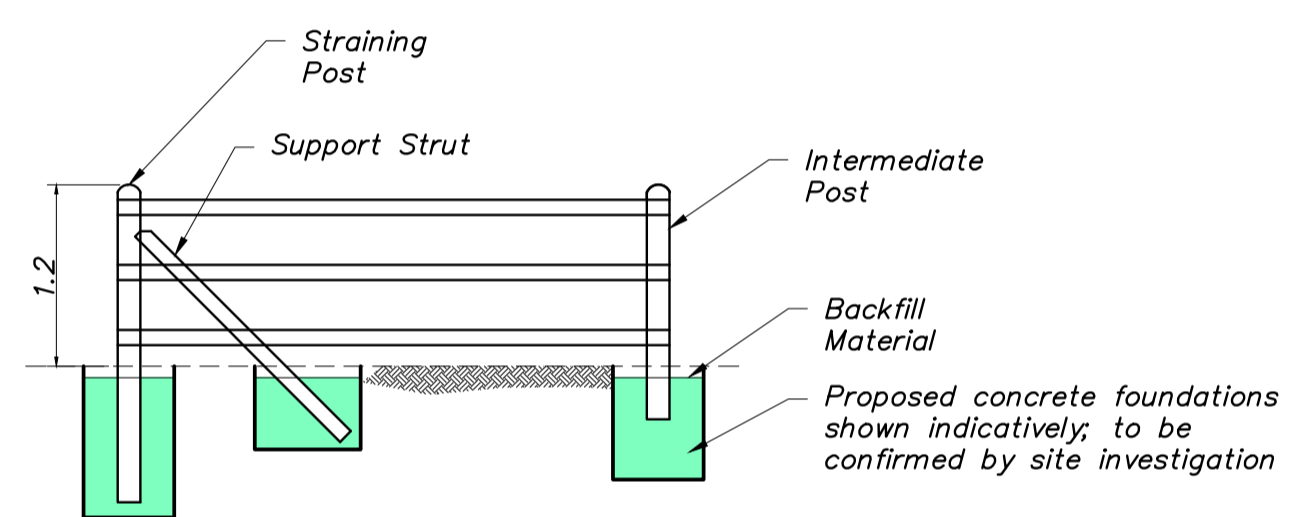
**Concepts for Pedestrian Bridge at Ardgonnell**



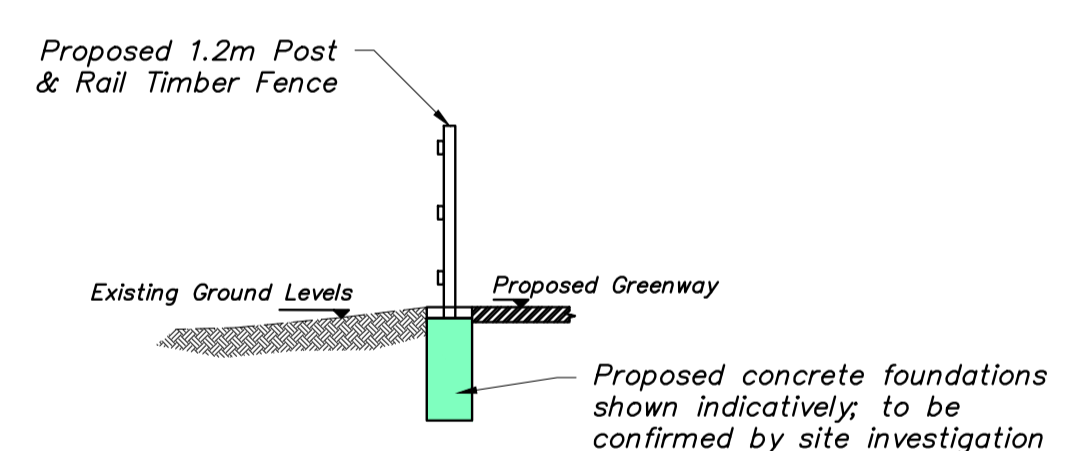
**Exemplar Photos of Unbound Greenways**



**Concepts for Boundary Treatments / Chicane Railings**



**Post & Rail Timber Fence Section**  
Scale 1:50



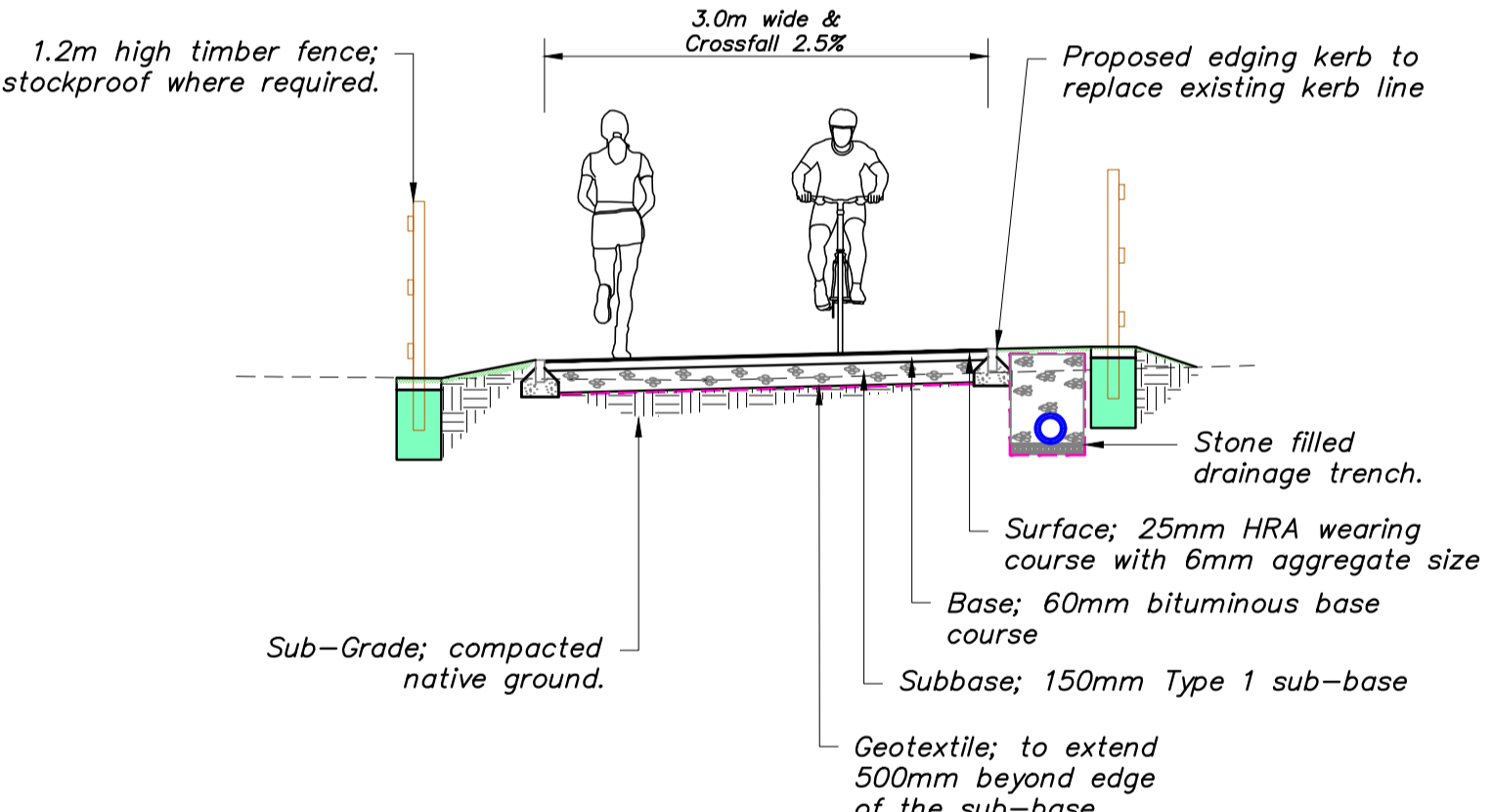
**Typical fence section**  
Scale 1:20



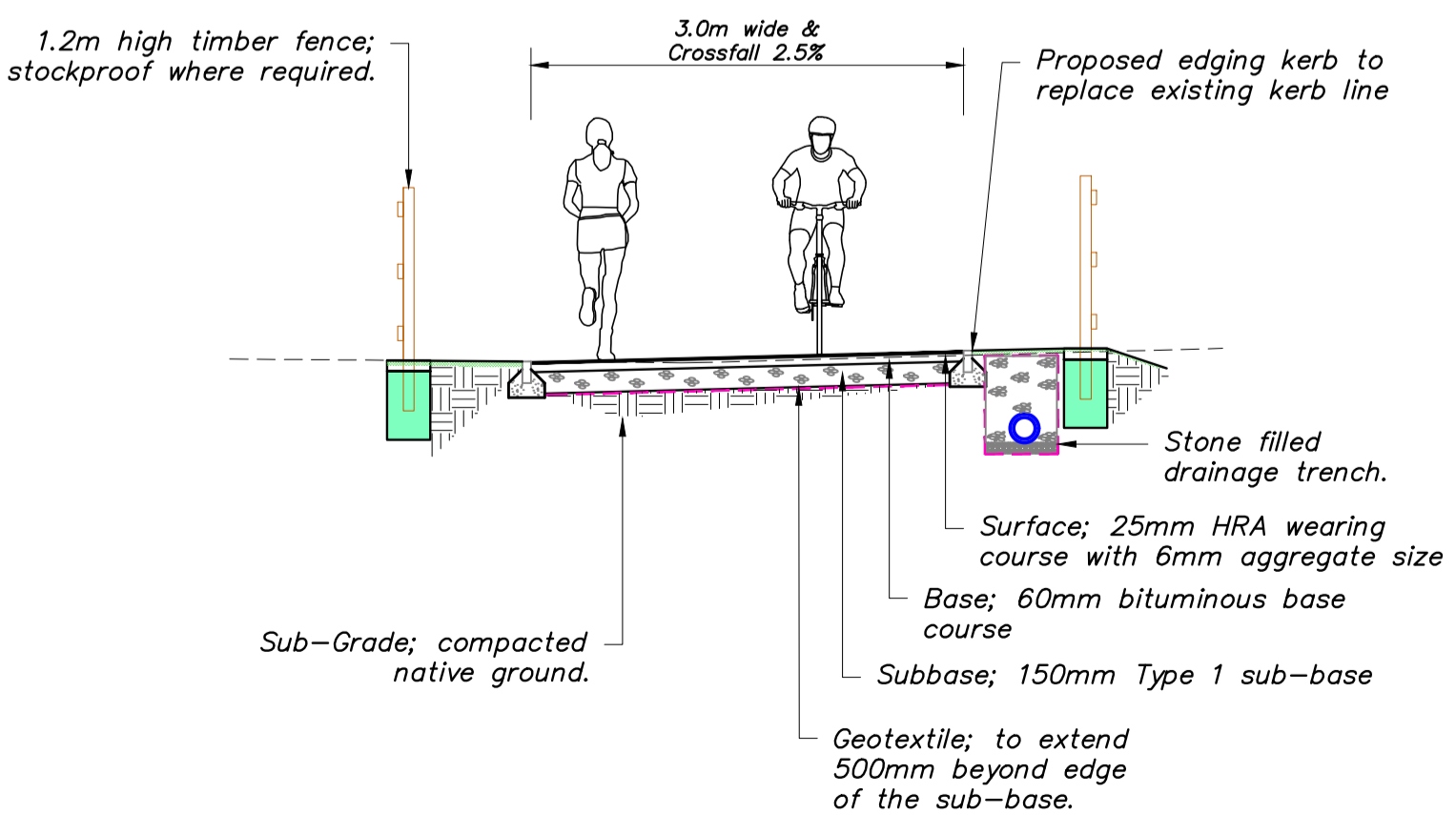
**Chicane railings in advance of interactions with public roads**



**Exemplar Fencing**



**Typical Bound Greenway**  
Semi-Tray (Poorly Drained Soils)  
Scale 1:20



**Typical Bound Greenway**  
Full-Tray (Well Drained Soils)  
Scale 1:20

**Concept for Landowner Access Point**



**Ulster Canal Greenway Signage**

**Concepts for Trail Head / Amenity Area**



**Proposed water bottle refill station**

Status	Date	By	Check	Details	Appr.
PAD	05.06.20	NMCA MJM	SUBMITTED FOR PAD		CML

**PAD DRAWING**

**Doran CONSULTING**  
DELIVERING ENGINEERING EXCELLENCE

Nonwood House  
99 - 102 Great Victoria Street  
Belfast BT2 7BE

T 028 9023 3443  
F 028 9023 5501  
E mail@doran.co.uk  
W www.doran.co.uk

Project Title:  
**Ulster Canal Greenway Phase 2  
Smithborough to Middletown**

Drawing Title:  
**Section IV: Border to Middletown  
Concept Sketch & Photographs**

Client/Architect:	Monaghan County Council				
Drawn by:	ENJ	Date:	June 2020		
Checked by:	NMCA	Scales:	As Shown		
Approved by:	CML	Sheet Size:	A1		

Project Number:	Orig.	Zone.	Level.	Type.	Disc.	Number.	Status.	Revision:
191063	DCL	S4	XX	SK	C	041	PAD	001

**Interreg** EUROPEAN UNION  
**Northern Ireland - Ireland - Scotland**  
European Regional Development Fund

A project supported by the European Union's INTERREG VA Programme, and managed by the Special EU Programmes Body

